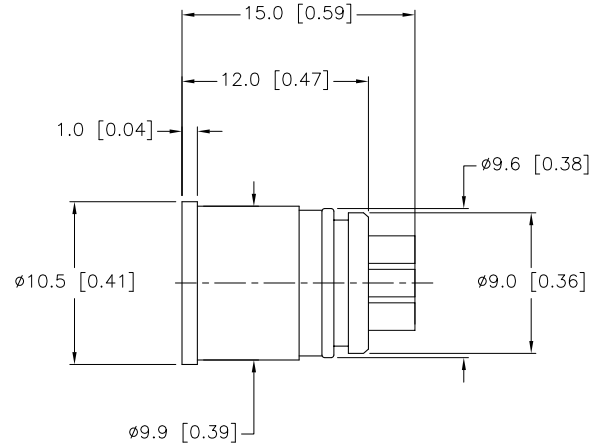
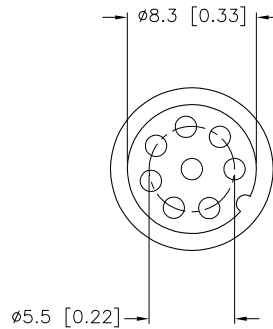
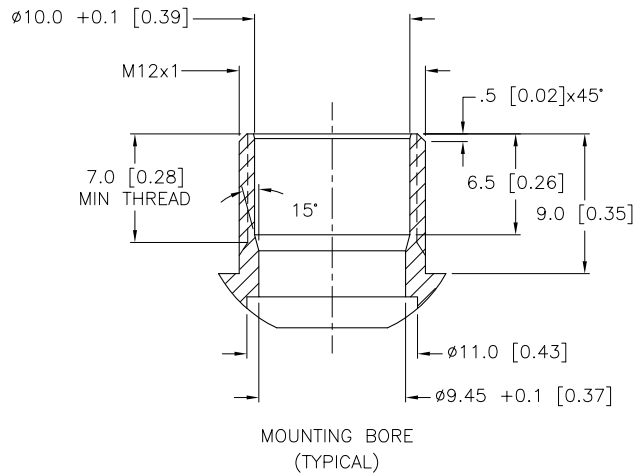
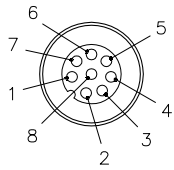


MALE END VIEW



SPECIFICATIONS

CONTACT CARRIER MATERIAL	NYLON
CONTACT MATERIAL/PLATING	BRASS/GOLD
RATED CURRENT [A]	2.0 A
RATED VOLTAGE [V]	60 VAC/75 VDC
TEMPERATURE RATING	-30°C to +80°C (-22°F to +176°F)

SOURCE DRAWING - FOR REFERENCE ONLY

RELATED DOCUMENTS 1. 2. 3. 4.	3RD ANGLE PROJECTION 	THIS DRAWING IS CONFIDENTIAL AND THE PROPERTY OF TURCK INC. USE OF THIS DOCUMENT WITHOUT WRITTEN PERMISSION IS PROHIBITED.		3000 CAMPUS DRIVE MINNEAPOLIS, MN 55441 1-800-544-7769 (763) 553-7300 (763) 553-0708 fax turck.com	
	MATERIAL  SEE SPECIFICATIONS	ALL DIMENSIONS DISPLAYED ON THIS DRAWING ARE FOR REFERENCE ONLY	DRFT JBU DATE 05/25/00	DESCRIPTION EWAS 8 (10/BAG)	
FINISH  SEE SPECIFICATIONS	CONTACT TURCK FOR MORE INFORMATION	APVD SCALE 1=1	UNIT OF MEASUREMENT MILLIMETER [ INCH ]		IDENTIFICATION NO. A3031-01
C DRAWING PROCESSED AS PART OF ECO 37423 REV DESCRIPTION	KMY BY 12/08/11 DATE 37423 ECO NO.	DO NOT SCALE THIS DRAWING		FILE: A3031-01	SHEET 1 OF 1